

Led splitter board

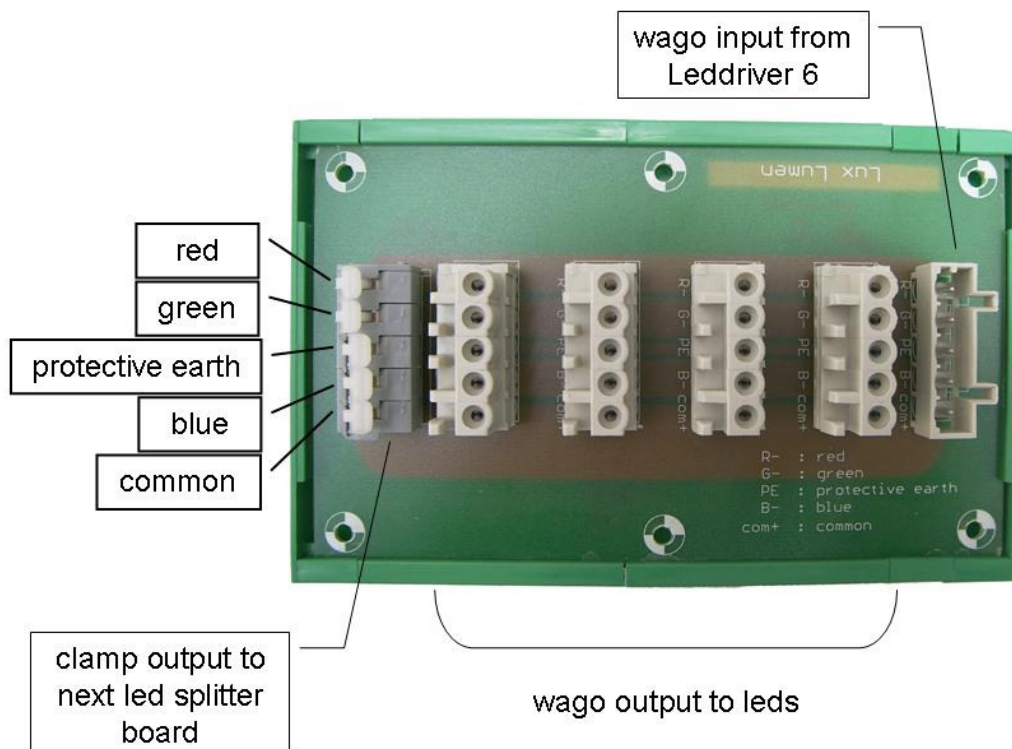
10045

Lux Lumen bvba
Kernenergiestr. 53a
2610 Wilrijk
T +32 3 293 35 50
F +32 3 293 35 44



www.Lux-Lumen.com

PCB layout



Concept

This board is used in combination with the Leddriver 6 card in order to provide current to the leds.

This board can be build on a DIN-rail.

Lux Lumen bvba
Kernenergiestr. 53a
2610 Wilrijk
T +32 3 293 35 50
F +32 3 293 35 44



www.Lux-Lumen.com