

# **TRIANG 19**

## **extruded aluminum**

# 1 Basic description TRIANG 19

## 1.1 General info

Extruded profile of aluminum for LED-strips, existing out of two parts:  
The main-profile and the cover

Aluminum alloy EN AW 6061

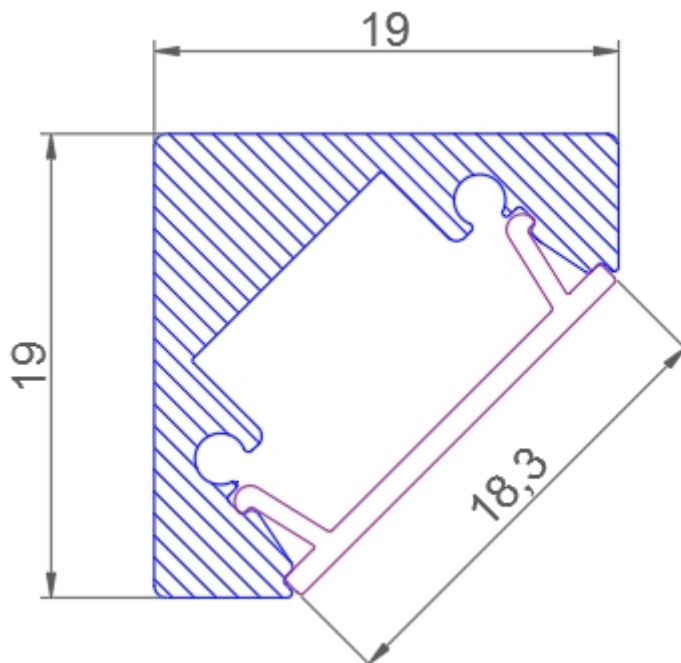
## 1.2 Finishing

The main profile is available in different surface finishes:

- § anodized natural (thickness 15µm)
- § anodized black (thickness 15µm)
- § coated with polyester powder-coating in all standard RAL-colors

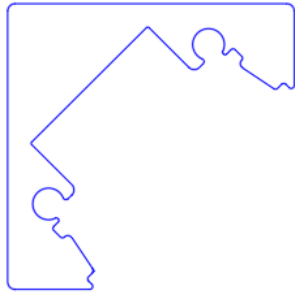
## 1.3 Dimensions

section: 19mm x 19mm  
length: max. 6m for the aluminum extrusion

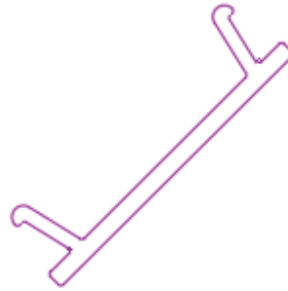


## 1.4

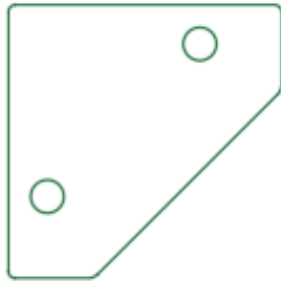
## Accessories



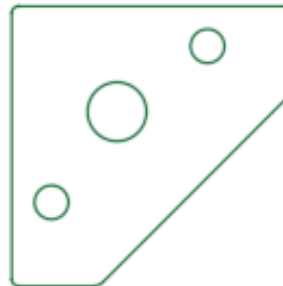
*Main profile*  
TRIANG 19



*Cover*  
TRI 19 Cover



*Endcap*  
TRI 19 Endcap



*Endcap with hole for cable*  
TRI 19 Endcap hole