

SQUARE 21

extruded aluminum

1 Basic description SQUARE 21

1.1 General info

Extruded profile of aluminum for LED-engines with glass or plastic cover and hidden fastening.

Aluminum alloy EN AW 6060 T66

Existing out of a click-profile and a main-profile.

Covers: Extruded profile of PMMA with perfect diffuse light output

1.2 Finishing

Available in different surface finishes:

-blank

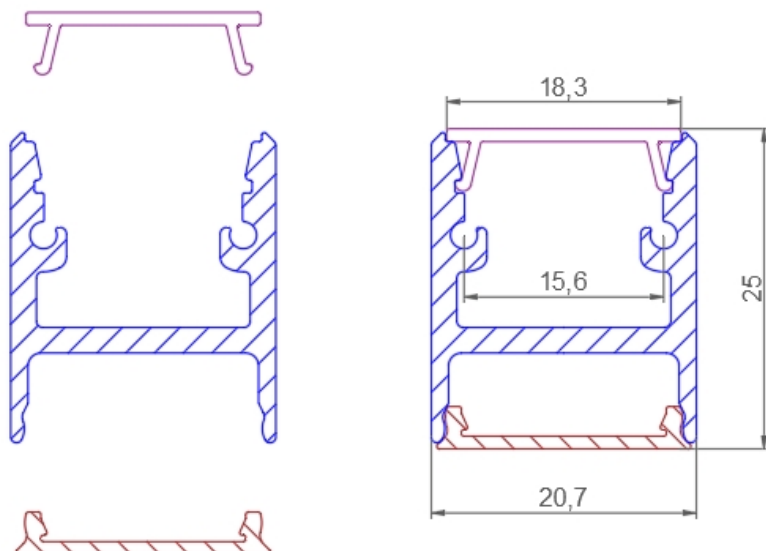
-anodized natural (thickness 15µm)

-anodized black (thickness 15µm)

-coated with polyester powder-coating in all standard RAL-colors

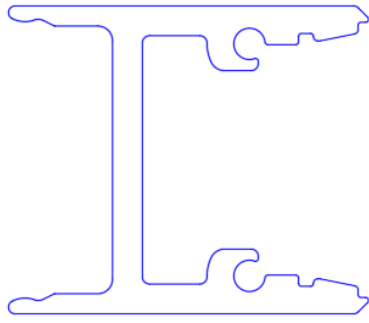
1.3 Dimensions

section: 20,7mm x 25mm
length: max. 6m for the aluminum extrusion
width of PCB: max. 15mm



1.4

Accessories



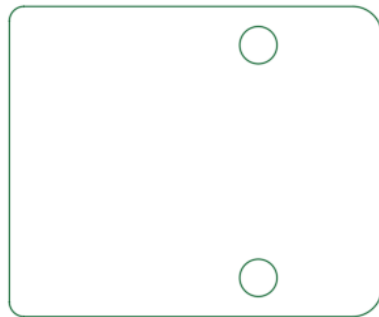
Main profile
SQ 21



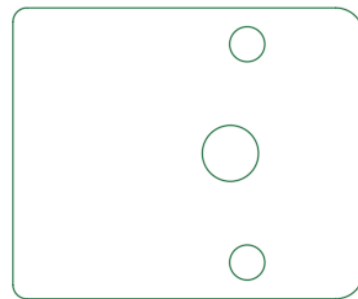
Click profile
SQ 21 Mounting



Cover
SQ 21 Cover



Endcap
SQ 21 Endcap



Endcap with hole for cable
SQ 21 Endcap hole