



# **ROUND 36**

## **extruded aluminum**

# 1 Basic description ROUND 36

## 1.1 General info

Extruded profile of aluminum for LED-strips, existing out of two parts:  
The led-profile, that houses the led's and the main-profile, that's housing the led-profile.

The led-profile is designed to house different led strips and pcb's. It has an excellent design to cover the led's with polyurethane resin.

The Main profile can be finish with different accessories such as end caps, cable entries and brackets.

Aluminum alloy EN AW 6061

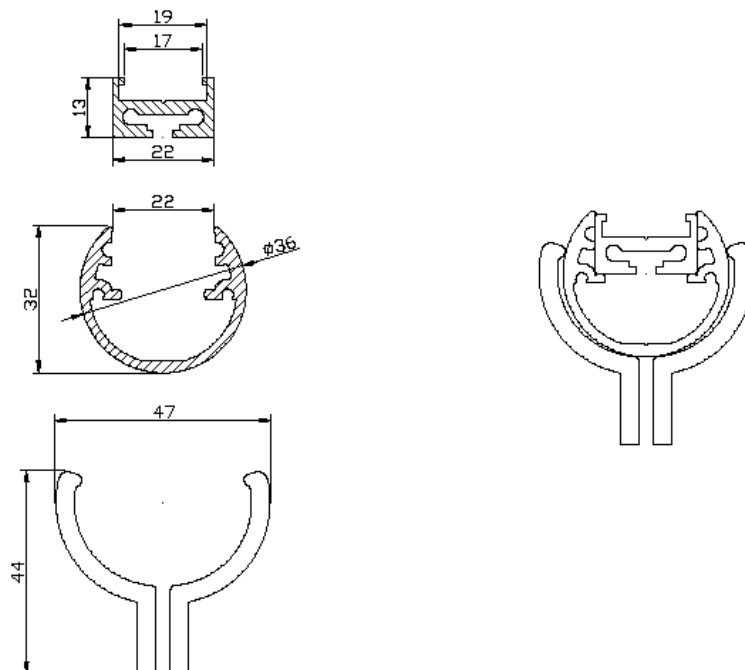
## 1.2 Finishing

The main profile is available in different surface finishes:

- § anodized natural (thickness 15µm)
- § anodized black (thickness 15µm)
- § coated with polyester powder-coating in all standard RAL-colors

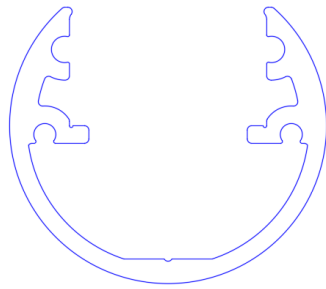
The LED-carrying profile is finished in anodized black (thickness 15µm)

## 1.3 Dimensions

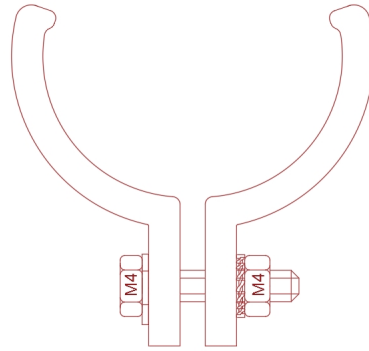


# 1.4

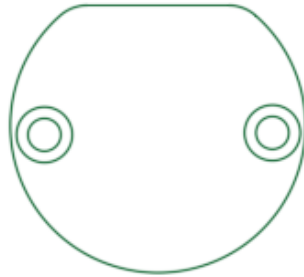
## Accessories



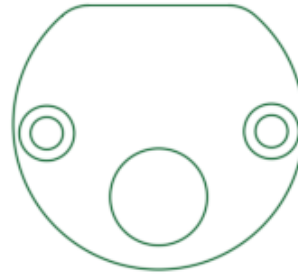
*Main profile*  
ROUND 36



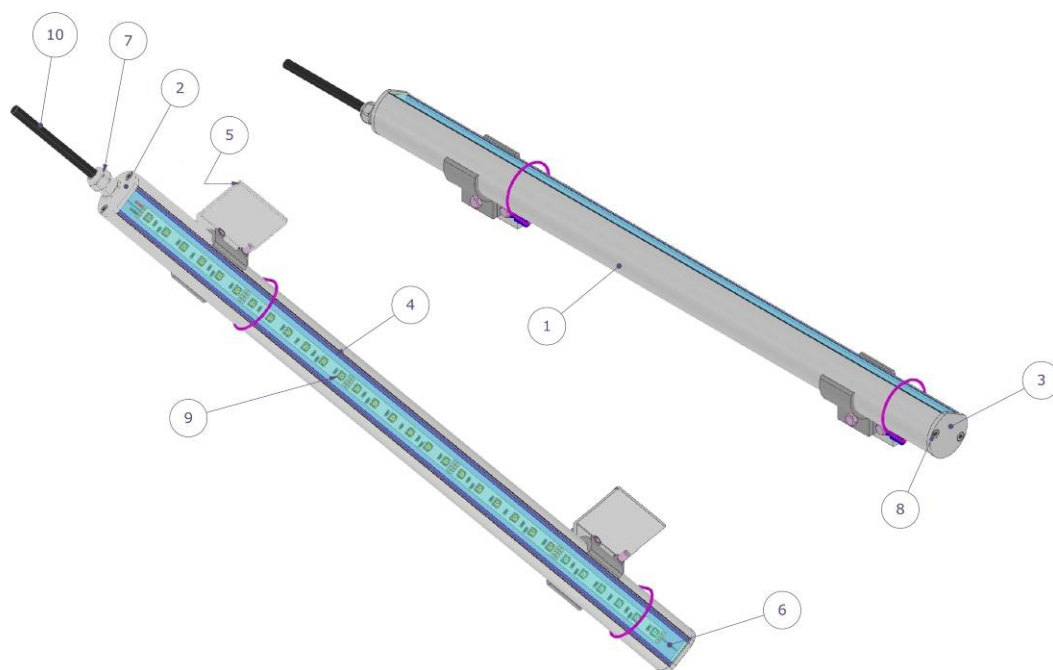
*Clips*  
RO 36 Clip



*Endcap*  
RO 36 Endcap



*Endcap with hole for cable*  
RO 36 Endcap hole



ITEM NO.	PART NUMBER	
1	base-profile	ROUND 36
2	end cap with cable entry	RO 36 Endcap hole
3	end cap	RO 36 Endcap
4	led-profile	
5	bracket	RO 36 Clip
6	polyurethane resin	
7	cable gland	
8	tapping screw 2,9x16	
9	example of led strip	
10	Cabling	