

RECTANG 67

extruded aluminum

1 Basic description RECTANG 67

1.1 General info

Extruded profile of aluminum for LED-engines with glass or plastic cover and hidden fastening.

Aluminum alloy EN AW 6060 T66

Existing out of a click-profile and a main-profile.

Covers: Extruded profile of PMMA with perfect diffuse light output

Transparent glass (thickness 4mm, max. length 1.5M)

Clear or dual frosted plastic (thickness 1.5mm, max. length 3M)

1.2 Finishing

Available in different surface finishes:

-blank

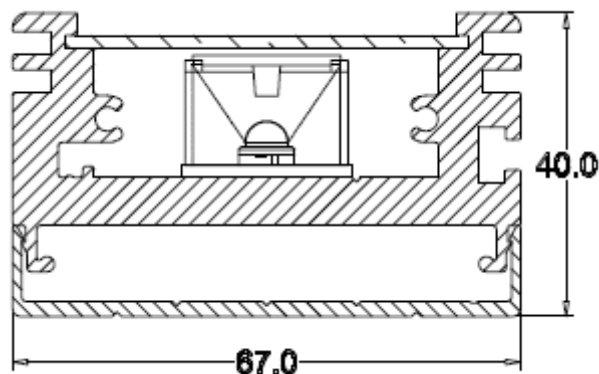
-anodized natural (thickness 15µm)

-anodized black (thickness 15µm)

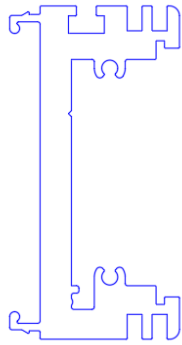
-coated with polyester powder-coating in all standard RAL-colors

1.3 Dimensions

section:	67mm x 40mm
length:	max. 6m for the aluminum extrusion
width of PCB:	max. 45mm
weight	Assembled profile: 2,575 kg/m
	Click-profile: 'RE 67 Mounting' 0,419 kg/m
	Main-profile 'RECTANG 67' 2,156 kg/m



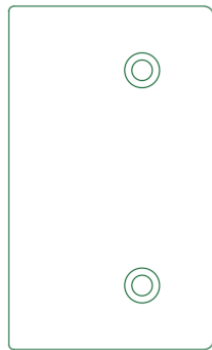
Accessories



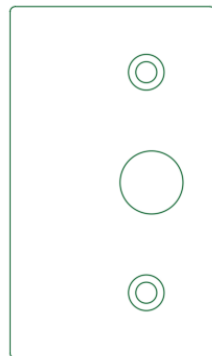
Main profile
RECTANG 67



Click profile
RE 67 Mounting



Endcap
RE 67 Endcap



Endcap with hole for cable
RE 67 Endcap hole