

RECTANG 48

Extruded aluminium

1

Basic description RECTANG 48

1.1

General info

Extruded profile of aluminum for LED-engines with aluminum cover and hidden fastening, existing out of a click-profile and a main-profile.
Aluminum alloy EN AW 6061

1.2

Finishing

Available in different surface finishes:

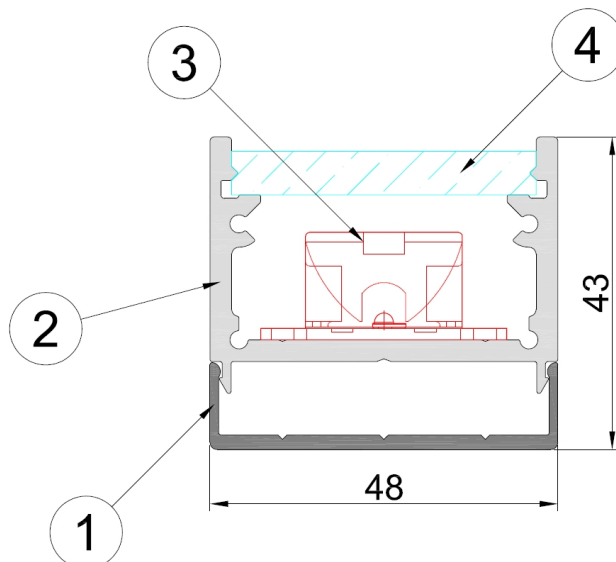
Main and click profile:

- anodized natural (thickness: click profile 15µm)
- anodized black (thickness: click profile 15µm)
- coated with polyester powder-coating in all standard RAL-colors

1.3

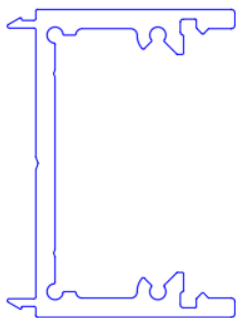
Dimensions

section:	43mmx48mm
length:	max. 6m for the aluminum extrusion
dimension of PCB:	max. 40mm wide & max. 20mm high
weight:	Assembled profile: 1,391kg/m
	Click-profile 0,317kg/m
	Main-profile 1,074kg/m



- 1: Click profile 'SQ 48 Mounting'
- 2: Main profile 'RECTANG 48'
- 3: LED-engine
- 4: Plexi window 6mm thick

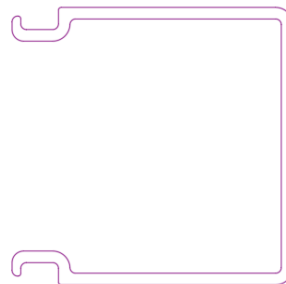
Accessories



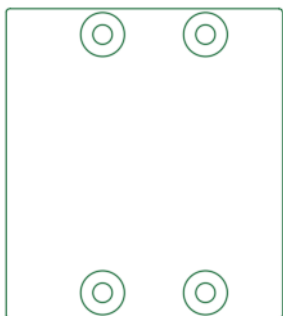
Main profile
RECTANG 48



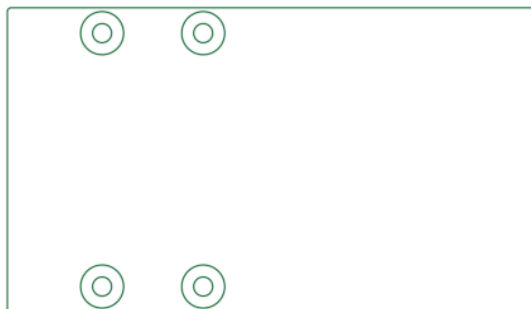
Click profile
SQ 48 Mounting



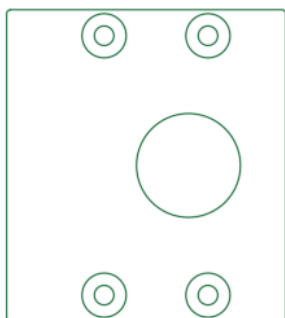
Cover
SQ 48 Cover



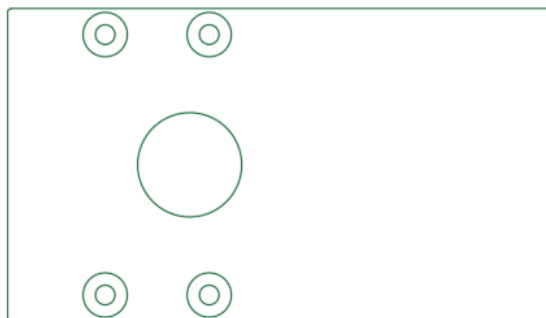
Endcap
RE 48 Endcap



Endcap high
RE 48H Endcap

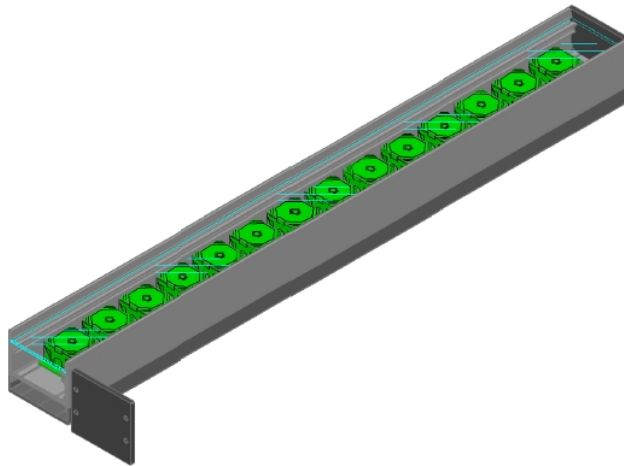


Endcap with hole for cable
SQ 48 Endcap hole

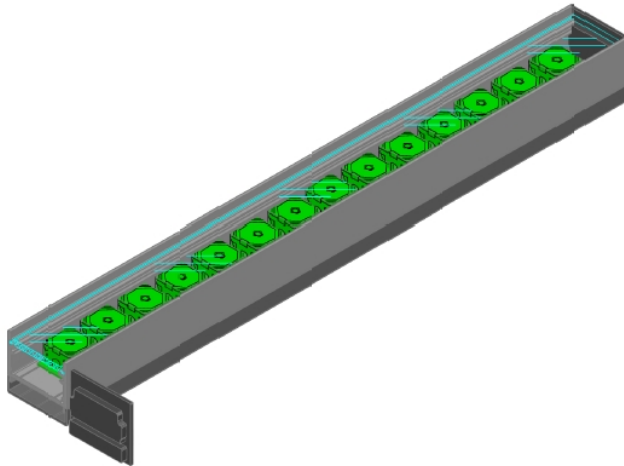


Endcap high with hole for cable
SQ 48H Endcap hole

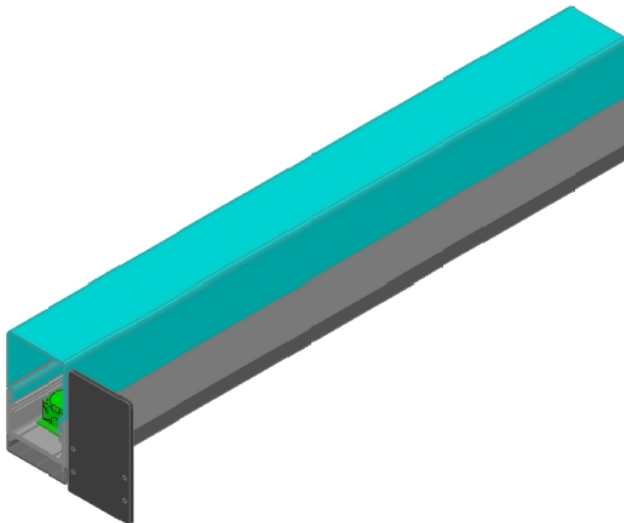
Examples

**1**

Basic configuration with a plexi of 2mm thick en endcaps. Wiring can run in hidden back chamber.

**2**

IP-67 configuration with a glass cover of 4mm thick and special IP-67 endcaps. Flex protected with PU resin for more moisture resistance.

**3**

Basic configuration with the cap-profile and high endcaps