

# **RECTANG 20**

## **extruded aluminum**

# 1 Basic description RECTANG 20

## 1.1 General info

Extruded profile of aluminum for LED-engines with aluminum cover and hidden fastening.  
Aluminum alloy EN AW 6060

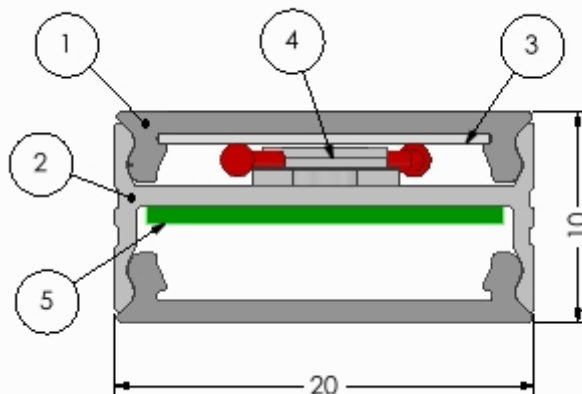
Existing out of two click-profiles and a main-profile.

## 1.2 Finishing

- Available in different surface finishes:
- anodized natural (thickness 15µm)
- anodized black (thickness 15µm)
- coated with polyester powder-coating in all standard RAL-colors

## 1.3 Dimensions

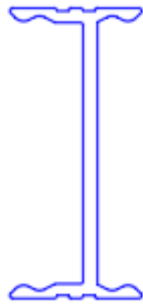
section:	10mmx20mm	
length:	max. 6m for the aluminum extrusion	
width of PCB:	max. 17mm	
weight	assembled profile:	0,224 kg/m
	Click-profile: 'RE 20 Mounting'	0.0687 kg/m
	Main-profile 'RECTANG 20'	0.08578 kg/m



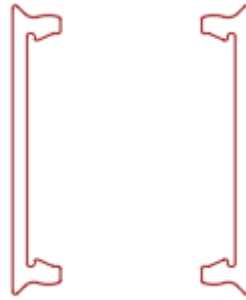
- 1: Click profile 'RE 20 Mounting'
- 2: Main profile 'RECTANG 20'
- 3: transparent protective foil (width max: 16mm / thickness: 0,45mm )
- 4: LED
- 5: PCB

## 1.4

### Accessories



Main profile  
RECTANG 20



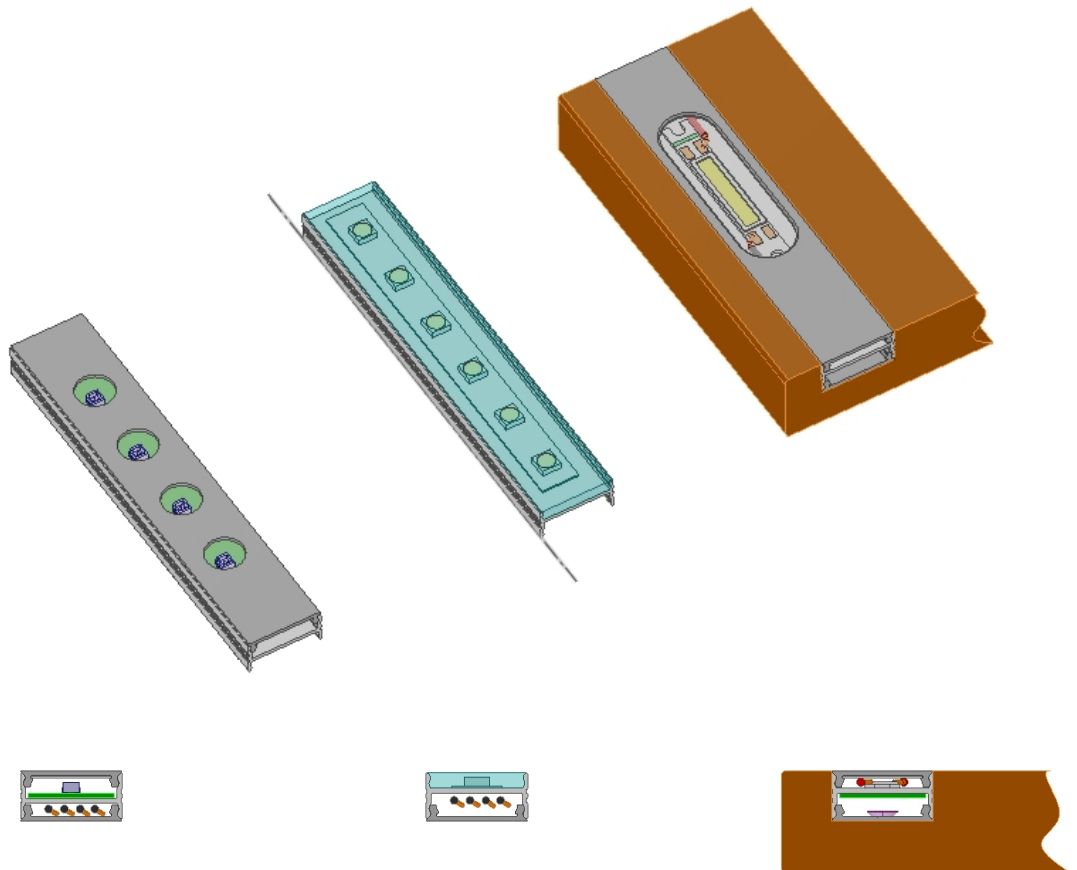
Click profile  
RE 20 Mounting



Endcap  
RE 20 Endcap

## 1.5

### examples



1

2

3

1: is a basic configuration of SMD led's mounted on a 1mm PCB.  
Wires run in the rear chamber.

2: flex protected with PU resin for more moisture resistance.

3: citizen led with supporting electronics PCB, mounted in a 20mm MDF plate