

# **FLAT 30**

## **extruded aluminum**

# 1 Basic description FLAT 30

## 1.1 General info

Extruded profile of aluminum for LED-strips.  
Aluminum alloy EN AW 6060 T66.

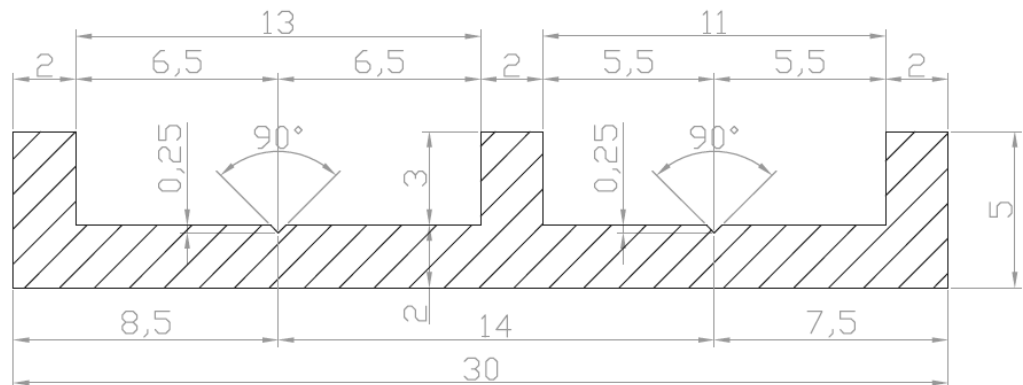
## 1.2 Finishing

Available in different surface finishes:

- blank
- anodized natural (thickness 15µm)
- anodized black (thickness 15µm)
- coated with polyester powder-coating in all standard RAL-colors

## 1.3 Dimensions

section:	30mm x 5mm
length:	max. 6m for the aluminum extrusion
width of PCB:	max. 13mm
weight	Profile 'FLAT30' 0,210 kg/m



	<b>FLAT 30</b>
<b>weight</b>	0,209kg/m
<b>Static values</b>	(calculated on basic dimensions)
<b>I<sub>x</sub></b>	6847mm <sup>4</sup>
<b>W<sub>x</sub></b>	454mm <sup>3</sup>
<b>I<sub>y</sub></b>	119mm <sup>4</sup>
<b>W<sub>y</sub></b>	35mm <sup>3</sup>