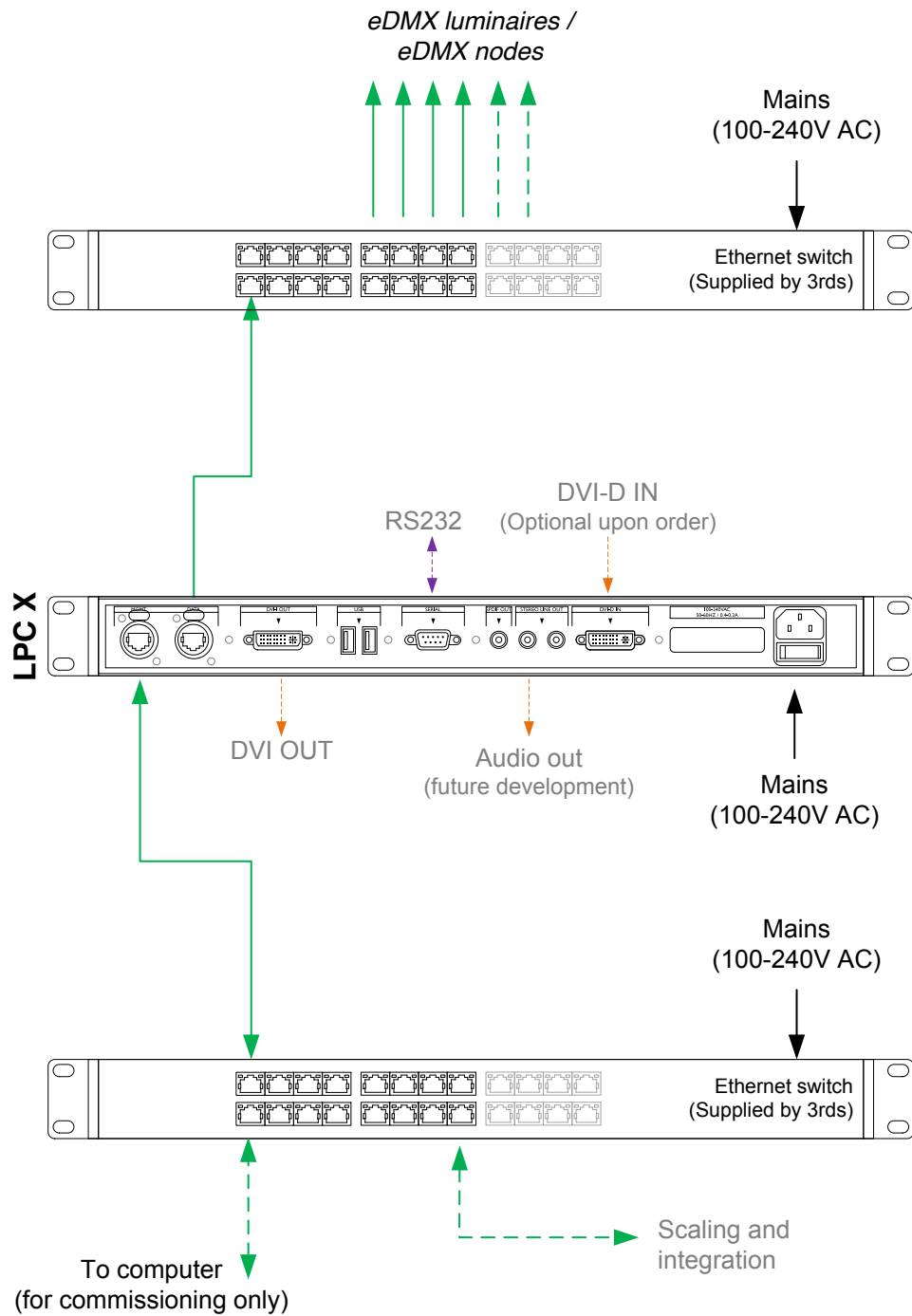



Type:	LPC X (X=10,20,30...100)
eDMX	≤ X *512 channels
Total	≤ X *512 channels



note: Requires different subnets on the two ports

- Consult the **Installation Guide** for technical details
- See **General Notes.pdf** for information on cabling types
- **More configurations** are possible to fulfil any project
- Contact your supplier or visit our website for support

 pharoscontrols.com	Reference: 1402	Name: LPC X (dual network)		
	Size: A4	Date: 15/11/2016	Rev: V 1.0	Notes: Setup
	Page:			