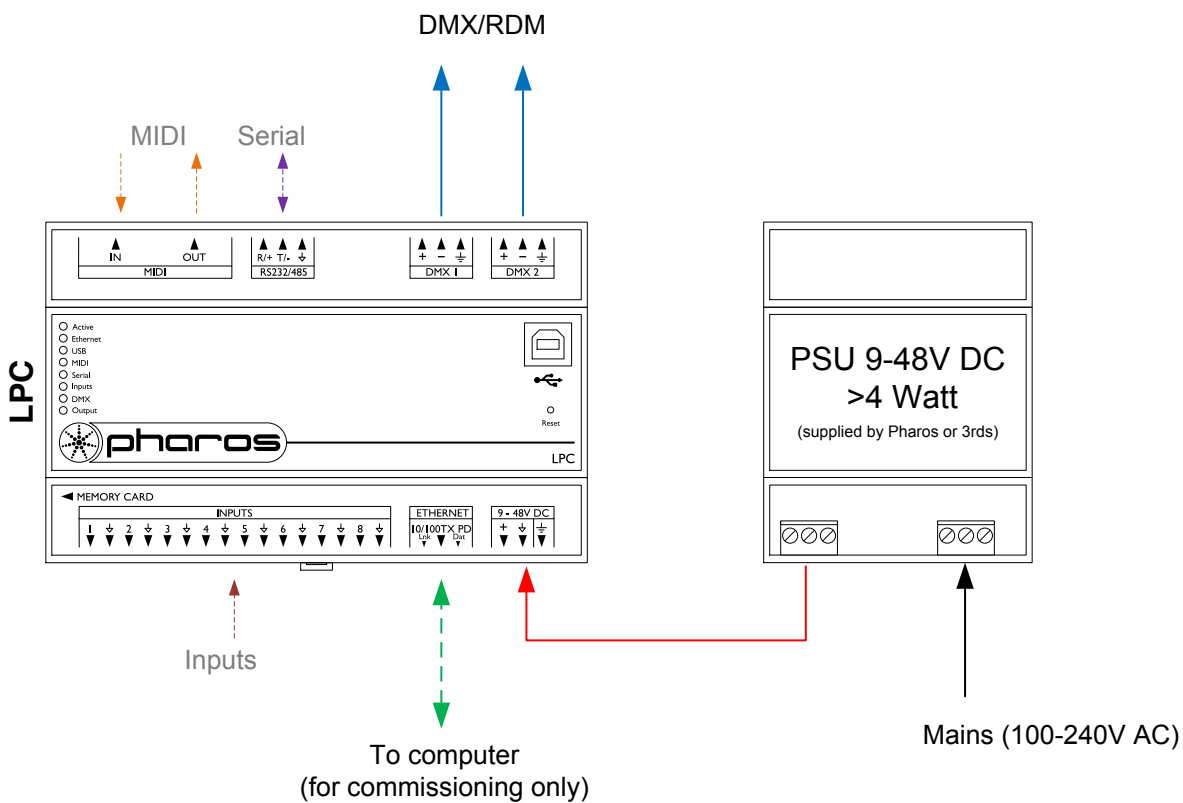



<b>Type:</b>	<b>LPC 1</b>	<b>LPC 2</b>
DMX 1	≤ 512 channels	≤ 512 channels
DMX 2	Clone to DMX1 *	≤ 512 channels
<b>Total</b>	<b>≤ 512 channels</b>	<b>≤ 1,024 channels</b>



- Consult the **Installation Guide** for technical details
- See **General Notes.pdf** for information on cabling types
- **More configurations** are possible to fulfil any project
- Contact your supplier or visit our website for support

 pharoscontrols.com	Reference: 1101	Name: LPC (DC power)	
	Size: A4	Date: 07/11/2016	Rev: V 1.0
	Page:	Notes: Setup	