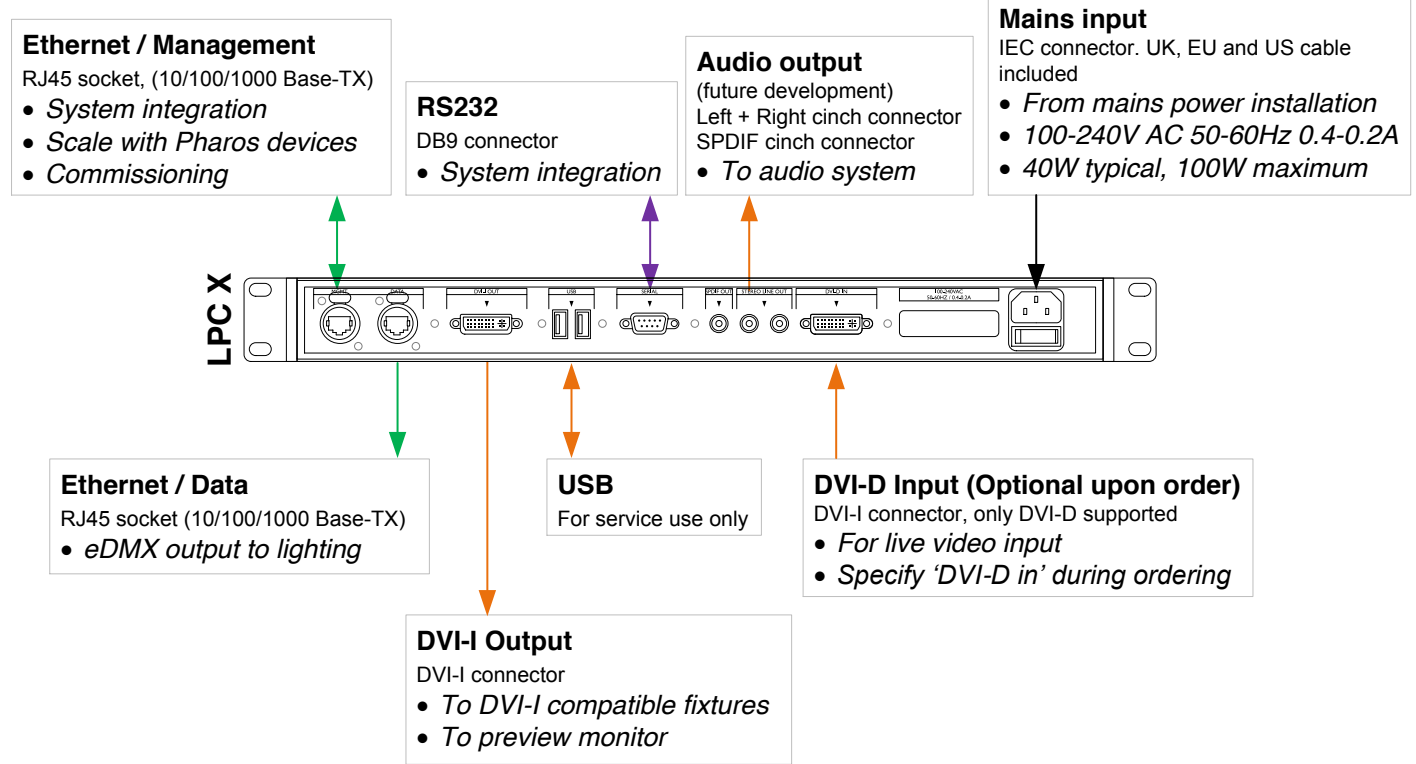


<b>Type:</b>	<b>LPC X (X=10,20,30...100)</b>
<b>eDMX</b>	$\leq X * 512$ channels
<b>Total</b>	$\leq X * 512$ channels



- Consult the **Installation Guide** for technical details
- See **General Notes.pdf** for information on cabling types
- Contact your supplier, visit our website or mail support with any other questions



pharoscontrols.com

Reference: 0004	Name: LPC X interfaces		
Size: A4	Date: 27/09/2016	Rev: V 1.0	Notes: Setup
Page: 1 of 1			